



WASHINGTON ALLOY CO.

Auto-darkening Welding Helmets



HYPER-VIEW

Auto-Darkening
Welding Helmet

Featuring



TRUE COLOR

Welding Vision Technology

Low Amp T.I.G.
response down to
3 amps!



3
Year ADF
Warranty!

An Impressive
100mm x 83.4mm
Viewing Area!!
(3.93" x 3.28")
Outer cover plate is
standard 4.5" x 5.25"

Pt No.WA H800D-TC XL



TRUE COLOR

Pt. No. WA H800D-TC
and WA H800-TC

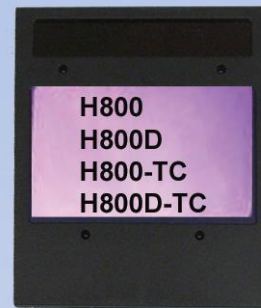
Comparative View Fields

100 x 49mm



H700

100x 60mm



H800
H800D
H800-TC
H800D-TC

100 x 83.4mm



H800D-TC XL

Reliable quality at a reasonable price,
from our *cutting-edge* True Color to
our industry-standard tint helmets!

Standard
Filter tint



Pt. No. WA H800
Or WA H800D (digital)



Standard
Filter tint

Pt. No. WA H700 (Gloss Blk)

www.weldingwire.com

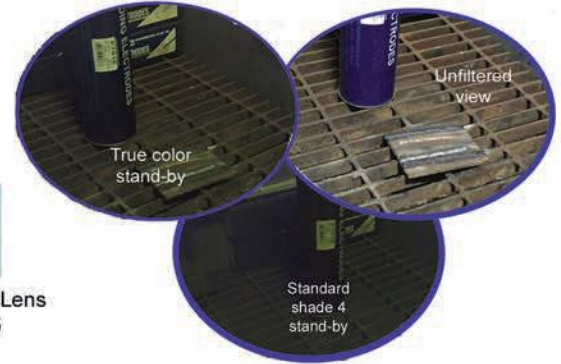
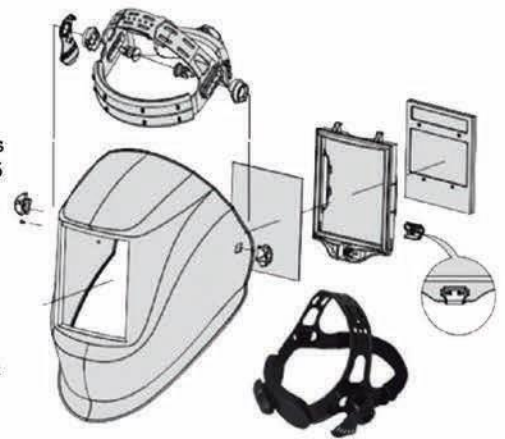
HYPER-VIEW Digital True color ...

Features:

- * Ergonomic design for comfort and functionality.
- * Made of high strength, light weight, heat resistant nylon to reduce neck strain while providing ample head and face protection.
- * State-of-the-Art LCD cartridge for quick switch time and permanent UV/IR protection up to DIN 15.
- * Solar power array with battery back-up along with 4 arc sensors designed for positive, uninterrupted function of the LCD optical filter.
- * Operating temperature: 14 F - 149 F (-10 C - -65 C)

... and H800 True Color on the cutting edge of welding filter technology!

For the welder who wants just a little bit more in filter optics, our H800 Helmet now has the True Color option available with analog or digital controls!



Pt. No.	Controls	Tint	View field
WA H700	Analog (Manual)	Standard	100mm x 49mm (3.94" x 1.75")
WA H800	Analog (Manual)	Standard	100mm x 60mm (3.94" x 2.36")
WA H800D	Digital	Standard	100mm x 60mm (3.94" x 2.36")
WA H800-TC	Analog (Manual)	True Color	100mm x 60mm (3.94" x 2.36")
WA H800D-TC	Digital	True Color	100mm x 60mm (3.94" x 2.36")
WA H800D-TC XL	Digital	True Color	100mm x 83.4mm (3.94" x 3.28")

Washington Alloy H800 series parts list

Note: Head Gear and Nut Kits are interchangeable with H700
Outer cover lens is standard size 4.5 x 5.25

1	WA H700-HG	Head Gear (Fits 700 and 800 series helmets)
2	WA H700-MK	Mounting Kit (2a-two bolts, 2b-two nuts, 2c-one position tab)
3	WA H800-IL/5	Inner Cover Lens (pack of 5)
4	WA H800-RK	Filter retaining Kit
5	WA H800-ADF WA H800-TC-ADF WA H800D-ADF WA H800D-TC-ADF	Auto Darkening Filter (Analog) Auto darkening Filter (analog-True Color) Auto Darkening Filter (Digital) Auto Darkening Filter (Digital-True Color)
6	Cover Lens Gasket	Not offered separately
7	WA H744/855-OL/5	Outer Cover Lens 4.5" x 5.25"
**	Battery Cover	Not offered separately
***	Helmet Shell	Not offered separately

All helmets and filters meet CE and ANSI standards

Washington Alloy H700 parts list

1	Face Plate	Not offered separately
2	WA H700-OL/5	Outer Cover lens (pack of 5)
3	WA H700-ADF	Auto Darkening Filter
4	WA H700-IL/5	Inner Cover Lens (pack of 5)
8	WA H700-HG	Head Gear (Fits 700 and 800 series helmets)
12	WA H700-MK	Mounting Kit (2a-two bolts, 2b-two nuts, 2c-one position tab)
*	Parts 9, 10 & 11	Included in Mounting Kit
**	Battery	Not offered separately - Non-replaceable
***	Helmet Shell	Not offered separately

